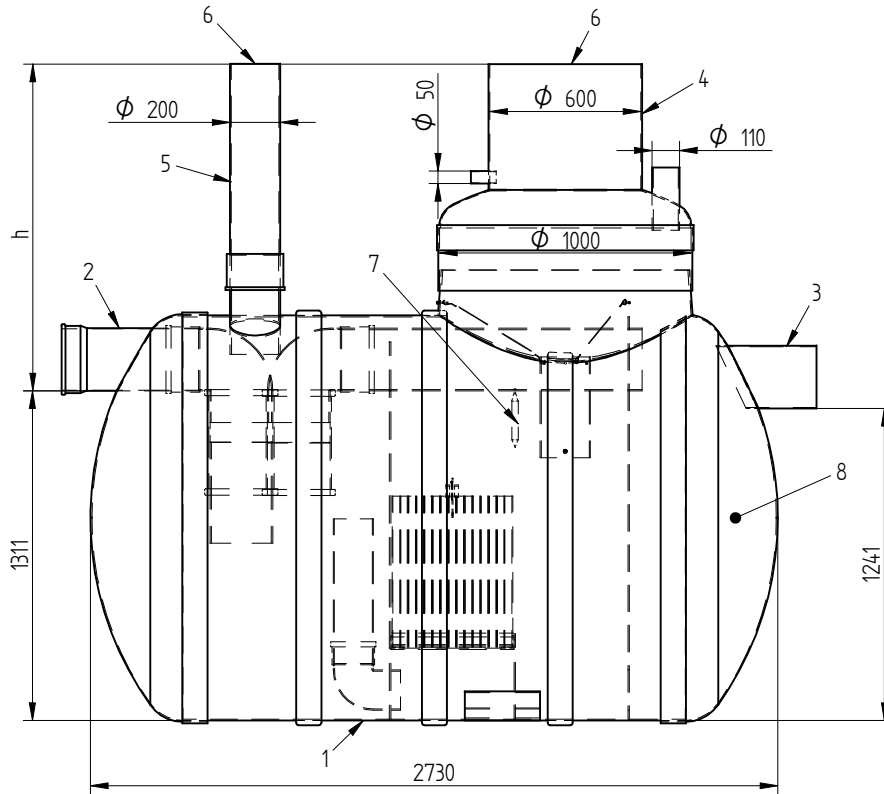
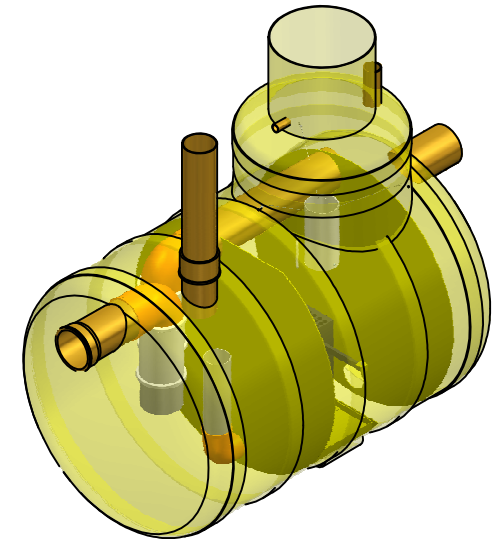


A



B

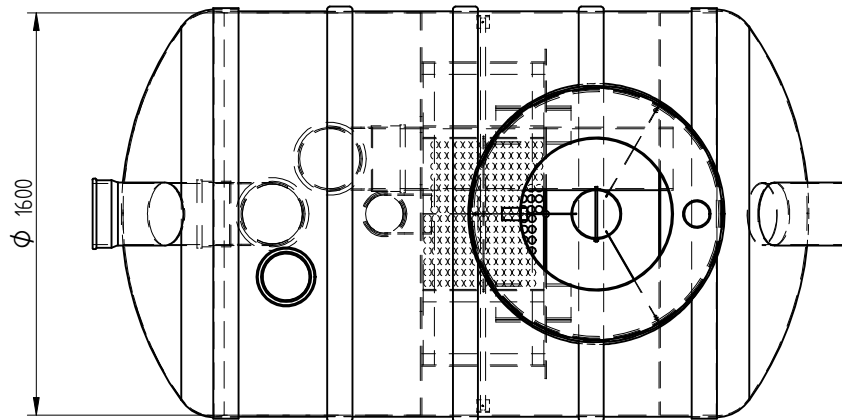


h = inlet pipe height from the ground.

h = _____ mm (standard height 1300mm)


Notes: _____

C



D

Pos.	Name	Technical data	Measures	Quantity
1	Body	GRP	$\phi 1600$, L=2730	1
2	Inlet Pipe	PVC	$\phi 250$	1
3	Outlet Pipe	PVC	$\phi 250$	1
4	Manhole	GRP	$\phi 1000/\phi 600$	1
5	Manhole	PVC	$\phi 200$	1
6	Cover (choose one)	Plastic	$\phi 600$; $\phi 200$	
		DI	$\phi 600$; $\phi 200$	
7	Alarm device			
8	Sampling area			

Date		Enjin.	Signature	Sheets	OIL Separator 1class NS10_30	
				Name		Rv
eccua 				Mass		Number